

DESCRIPTION

Vivanco VE Rapid Cabinets provide a customizable solution for datacenter build-outs, network rooms, or IT closets. The feature-rich, robust design can be shipped flat packed or as a custom-configured solution that is fully assembled with accessories pre-installed. Vivanco VE Rapid Cabinets offer multiple size combinations, abundant accessories, and optional front and rear doors styles to meet your specific needs.

FEATURES & BENEFITS

Security & Protection

- Locking doors prevent unauthorized access to equipment
- Two pairs of adjustable 19" EIA rails provide a stable mounting structure

Flexibility

- Vertical zero-U lacing panel pre-installed in rear corners for easy cable management
- Multiple cable entry options provide greater flexibility during installation
- Removable and lockable half height side panels

Multi-Use

- Adaptable for use in data center build outs, computer rooms or data closets

Key Features

- Pre-installed recessed casters combine convenient mobility with minimal added height to provide additional stability
- Brush cable entry slots at front and back of top panel and sliding panels on bottom
- Ships fully assembled and can be configured with accessories to match your individual requirements



SPECIFICATION

Raw Material	SPCC	
Cabinet Structure	Assembled frame structure	
Front Door Option	1	Tempered glass door with striped hole
	5	High-density single open vented door
Rear Door Option	3	Sheet steel door
	5	High-density single open vented door
	6	High-density double open vented door
Ventilation Percentage	High density vented door	>70%
Side Panel	Half height, removable side panel	
19" Rail	Power coated, 2.0mm thick SPCC	
Finish	Powder coated	
Max. Open Angel	180 degree	
Color	RAL7035 White; RAL9005 Black	
Maximum Static Load Capacity	1300 kgs	

INCLUDED ACCESSORIES

Item	Quantity	
Heavy Duty Caster	4pcs	
Adjustable Feet	4pcs	
M6 Screws & Nuts	≤33U	20sets
	> 33U	40sets
Installation Guide	1pc	
Keys	4sets	

OPTIONAL ACCESSORIES

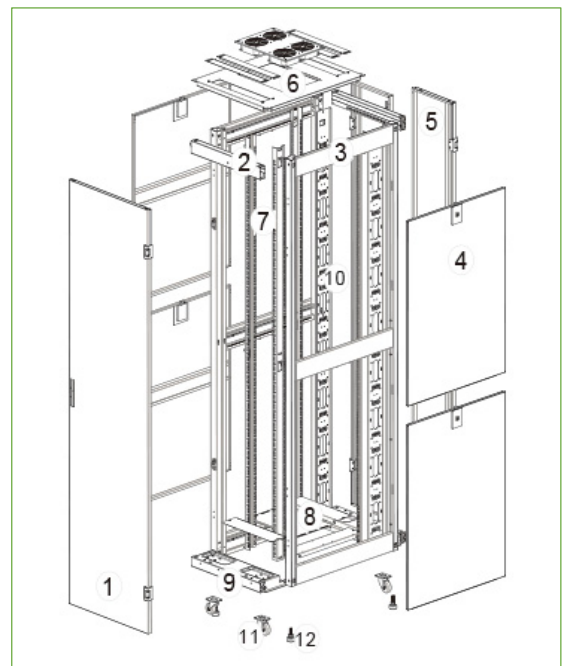
Items	Description
Blank Panel	1U, 2U, 3U, 4U
Toolless Panel	1U, 2U
Top Mount Fan	2 or 4 fans
Horizontal Cable Manager	1U, 2U
Fixed Shelf	19"
Sliding Shelf	19"
Grounding Kit	14 AWG
Baying Kit	For VE only
Plinth	100mm height

DOOR OPTIONS

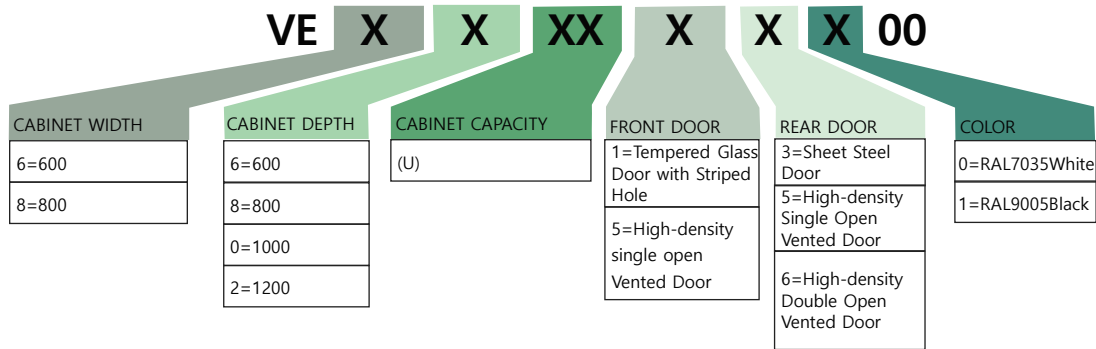
Tempered glass door with striped hole	Sheet steel door	High-density single open vented door	High-density double open vented door
			

EXPLODED VIEW

No.	Component
1	Front Door
2	Top Beam
3	Side Frame
4	Side Panel
5	Rear Door
6	Top Cover
7	19" Rails
8	Bottom
9	Plinth
10	Vertical Lacing Panel
11	Heavy Duty Caster
12	Adjustable Feet



NAME CODING



ORDERING INFORMATION AND COMPLIANCE

VIVANCO VE Rapid Cabinet			Compliance
Part No.	Dimension (Width × Depth × Height)	Capacity (U)	
VE.6624.xx.x00	600×600×1200mm	24	ANSI/EIA RS-310-D IEC60297-2 DIN41494 PART1 DIN41494 PART7
VE.6824.xx.x00	600×800×1200mm		
VE.6024.xx.x00	600×1000×1200mm		
VE.6642.xx.x00	600×600×2000mm	42	
VE.6842.xx.x00	600×800×2000mm		
VE.6042.xx.x00	600×1000×2000mm		
VE.8842.xx.x00	800×800×2000mm		
VE.8042.xx.x00	800×1000×2000mm	47	
VE.8847.xx.x00	800×800×2222mm		
VE.8047.xx.x00	800×1000×2222mm		
VE.8247.xx.x00	800×1200×2222mm		

Note: Size and capacity can be customized